

**AXOR Massaud**  
**3-hole basin mixer for concealed installation wall-mounted with spout 170 mm**  
 Surfaces: **Chrome** Article Number: **18112000**



### Description

#### product features

- consists of: 3-hole basin mixer for concealed installation wall-mounted, waste set
- projection 167 mm
- wide flood jet
- flow rate at 3 bar: 4 l/min
- ceramic valves hot/ cold 180°
- suitable for continuous flow water heaters
- non-closing waste set
- connection dimension: DN15

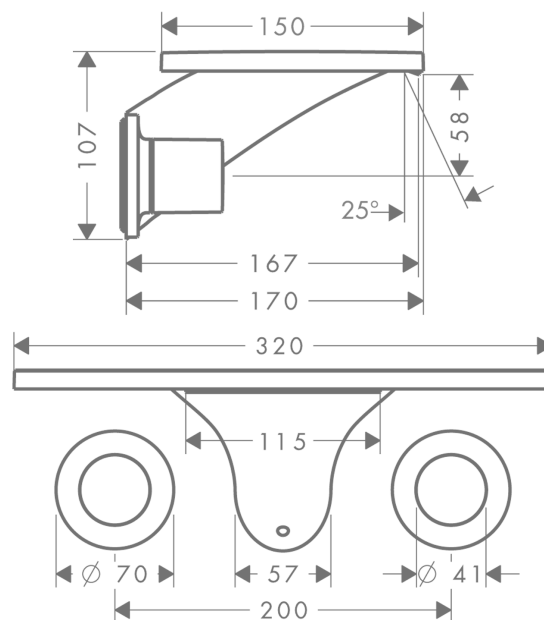
### Technology



### Product image



### Scale drawing



### Flowchart

